

BULLET SHIELD™ 1-1/4" sheet

DEFENSELITE™

Multi shot protection

BulletShield™ 1-1/4" ballistic grade sheet is a 1.250", 4-ply acrylic and polycarbonate laminate that meets UL 752 Level 6 rating for high speed multi-shot 9 mm (Uzi) ballistic attack. All BulletShield™ 1-1/4" products incorporate DefenseLite™ polycarbonate sheet produced for high optical quality in security glazing laminates. Exterior surfaces have a proprietary DefenseLite™ AR hardcoat that facilitates cleaning and resists marring, chemical, and graffiti attack. BulletShield™ 1-1/4" sheet has a seven (7) year Limited Product Warranty against coating failure, yellowing, and hazing. The terms of the warranty are available upon request.

Applications

Government and detention facilities, banks, specialty retailers, 24 hour convenience stores, and cash transaction windows.

Typical Properties*

Property	Values
Gauge / Tolerance	1.30 in
Weight	8.1 lbs / sq ft
Shading Coefficient	0.98
U-Value	0.56
Light Transmission	78%

*Typical properties are not intended for specification purposes

Product Performance Ratings

BALLISTIC

UL 752 Level 6 (9mm Full Metal Copper Jacket with Lead Core, 5 rounds)
Supplementary Shotgun - A supplementary UL test using rifled lead slug with a muzzle energy of 2438-2950 ft·lbs (3306-4000 J) and 00 lead buckshot with a muzzle energy of 2078-2415 ft·lbs (2818-3275 J) fired from a 12-gauge shotgun

AGENCY INFORMATION

UL File: BP6864
Combustibility Class CC2
Miami-Dade NOA #15-1014.01
Florida Building Code 2014

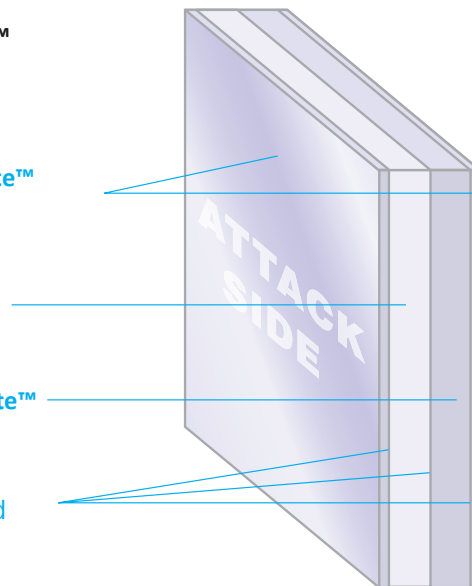
BulletShield™ 1-1/4" Sheet Construction

1/8" DefenseLite™
AR-1 Sheet

1/2" Acrylic
Attack Side

1/2" DefenseLite™
Sheet

Interlayer Bond



BULLET SHIELD™ 1-1/4" sheet

Glazing recommendations

- Structural security framing systems with equal or greater forced entry and/or ballistics ratings as the selected BulletShield™ laminate are recommended
- BulletShield™ 1-1/4" must be installed with acrylic ply facing the ballistic attack side
- BulletShield™ laminate should be cut to allow for a minimum of one (1) inch edge engagement in the frame, with sufficient rabbet depth for material expansion (approx. 1/16"/ft.)
- Use wet or dry sealants/gaskets that are compatible with polycarbonate
- Remove protective masking after glazing operations are completed and before prolonged exposure to direct sunlight, moisture, or high temperature

Standard sheet size

48" x 96"

Product specification

BulletShield™ 1-1/4" polycarbonate and acrylic laminate:

- Four-ply, clear BulletShield™ polycarbonate sheet constructed as follows:

1/8" DefenseLite™ AR-1 abrasion resistant surface

Polyurethane bonding interlayer

1/2" DefenseLite™ polycarbonate sheet

Polyurethane bonding interlayer

1/2" acrylic sheet

Polyurethane bonding interlayer

1/8" DefenseLite™ AR-1 abrasion resistant surface

The manner in which you use and the purpose to which you put and utilize our products, technical assistance and information (whether verbal, written or by way of production evaluations including any suggested formulations and recommendations, are beyond our control. Therefore, it is imperative that you test our products, technical assistance, information and recommendations to determine to your own satisfaction whether our products, technical assistance and information are suitable for your intended uses and applications. This application-specific analysis must at least include testing to determine suitability from a technical as well as health, safety, and environmental standpoint. Such testing has not necessarily been done by BulletShield™.

Unless we otherwise agree in writing, all products are sold strictly pursuant to the terms of our standard conditions of sale which are available upon request. All information and technical assistance is given without warranty or guarantee and is subject to change without notice. It is expressly understood and agreed that you assume and hereby expressly release us from all liability, in tort, contract or otherwise, incurred in connection with the use of our products, technical assistance, and information. Any statement or recommendation not contained herein is unauthorized and shall not bind us. Nothing herein shall be construed as a recommendation to use any product in conflict with any claim of any patent relative to any material or its use. No license is implied or in fact granted under the claims of any patent.

With respect to health, safety and environment precautions, the relevant Safety Data Sheets (SDS) and product labels must be observed prior to working with our products.)

DEFENSELITE™